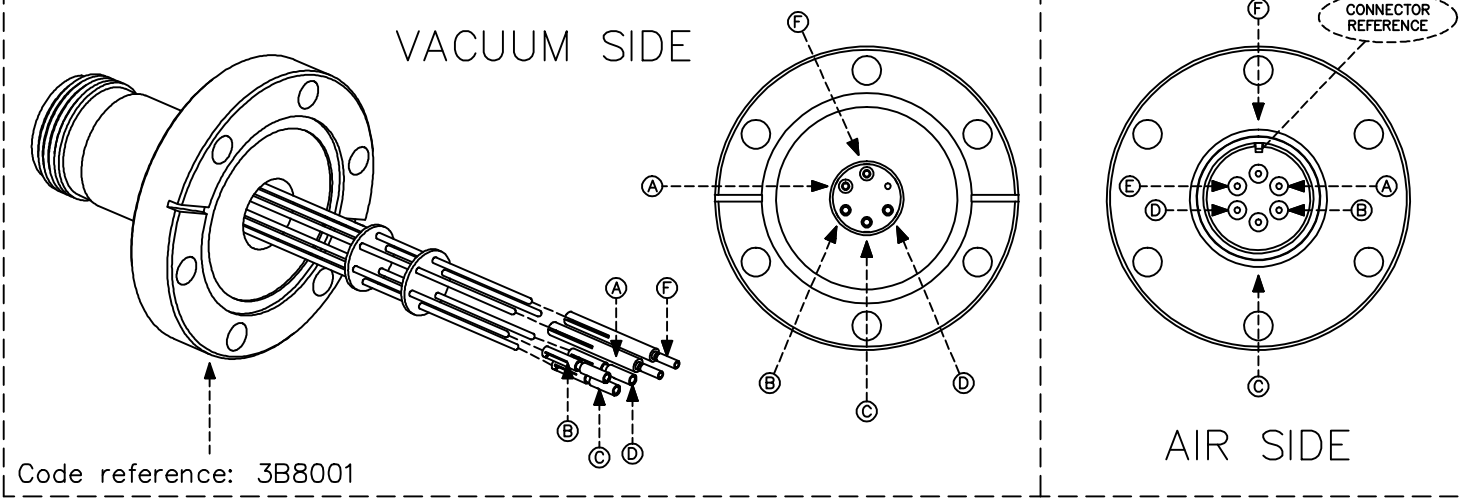
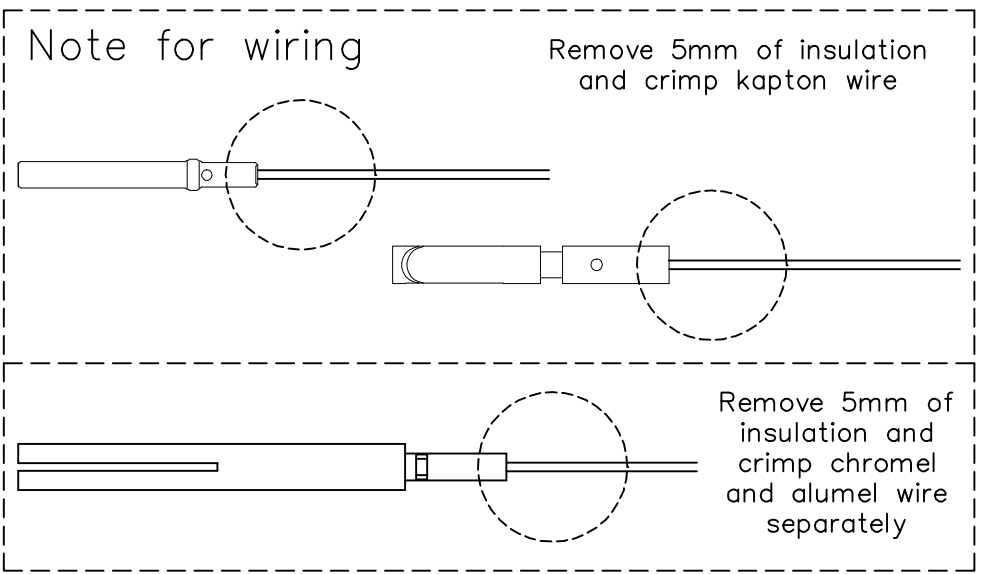
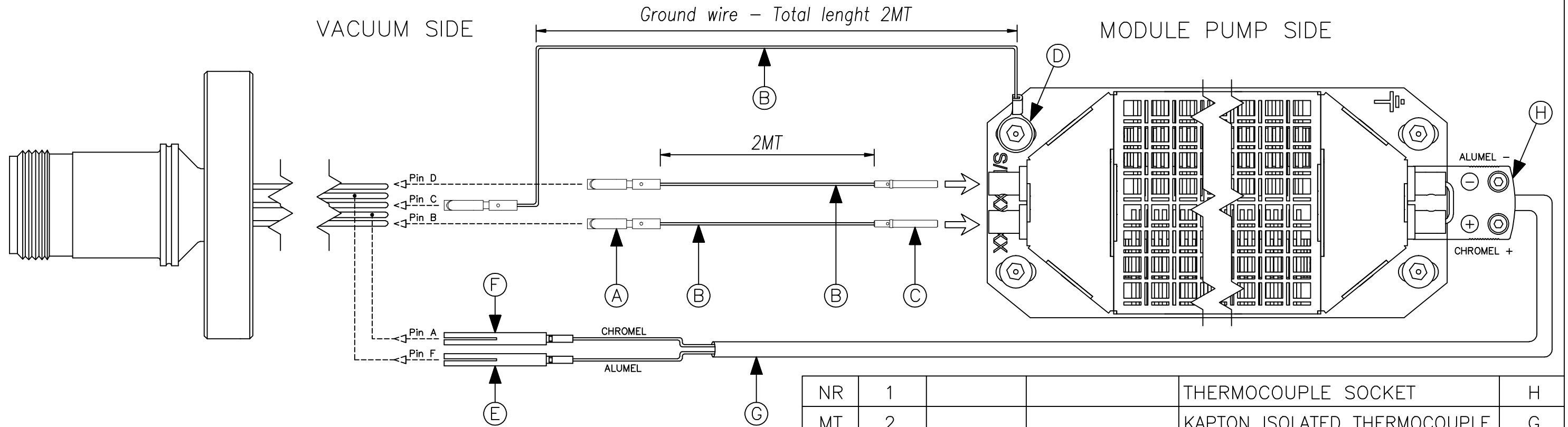


DESIGN AND PROPERTY OF
SAES GETTERS S.p.A.
Reproduction or Communication without
the company's written permission is Forbidden

REV	DESCRIPTION	DATE	SIGN.



Code reference: 3B8001



PROVISIONAL

NR	1				THERMOCOUPLE SOCKET	H
MT	2				KAPTON ISOLATED THERMOCOUPLE	G
NR	1				CRIMP CHROMEL	F
NR	1				CRIMP ALUMEL	E
NR	1				GROUND RING	D
NR	2				POWER CRIMPS GOLD PLATED	C
MT	6				KAPTON WIRE - COPPER CONDUCTOR	B
NR	3				POWER CRIMPS Be-Cu	A
UM	Q	CODE	IDENTIFYING-NO		NOMENCLATURE/GROUP	FIND
PARTS LIST						
				DWN	REU	CHK
				MUR	APPD.	PM
				DATE	11/06/2018	
				TITLE	SCALE -	
				WAFER MODULE KIT OF CABLES		SIZE A3
				WITH THERMOCOUPLE		SHEET
				ARCH.	S:\Progetti	
				CAD FILE	RFKIT9905220.dwg	
				DWG NO	REV	CODE
				RFKIT990522	0	3B8006
				TOLL.	3.2/	
				IT11		
				DIMENSIONS ARE IN MILLIMETERS		
				MOD.NO	M1001.0	